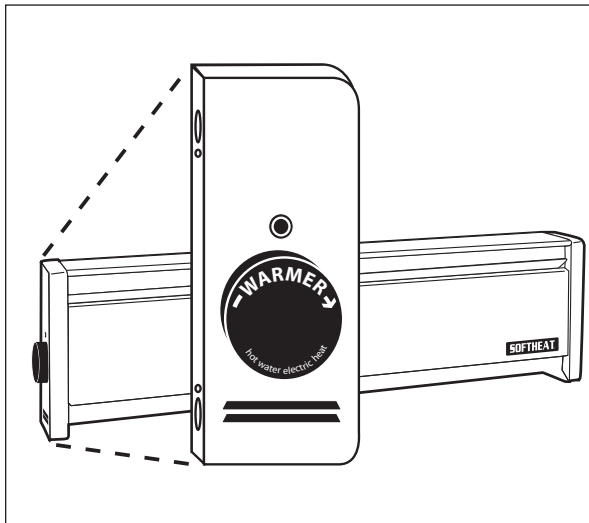




EBKA SoftHeat Thermostat

INSTALLATION INSTRUCTIONS



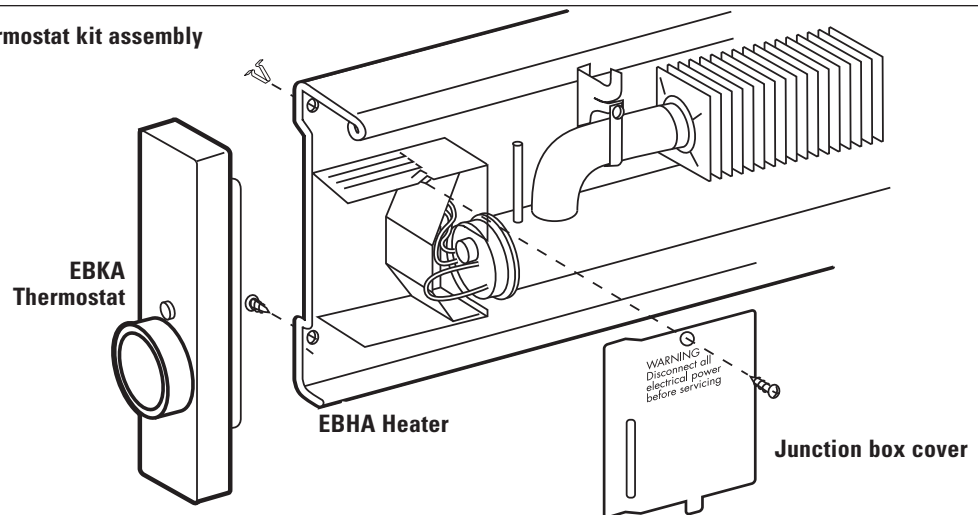
Description

The EBKA-1-24 end cap thermostat kit is an accessory for the EBHA Series of hydronic baseboard heaters. This kit will provide thermostatic control of the heater in place of a wall mounted thermostat.

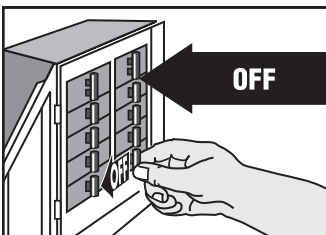
Note: The EBKA-1-24 end cap thermostat can only be installed on the left end of heater. It is designed to control only one EBHA heater unit.

Tools Required: Phillips Screwdriver, Insulated Wire Connectors (Wire Nuts®), Strain relief connector

FIGURE 1: Thermostat kit assembly



IMPORTANT INSTRUCTIONS



If you are uncomfortable working with electrical appliances, unable to follow these guidelines, or do not have the necessary equipment; consult a licensed electrician.

⚠ WARNING

Turn the electrical power off at the electrical panel board (circuit breaker or fuse box) and lock or tag the panel board door to prevent someone from turning on power while you are working on the heater. Failure to do so could result in serious electrical shock, burns, or possible death.

SAVE THESE INSTRUCTIONS

**READ ALL
INSTRUCTIONS
AND SAFETY
INFORMATION.**

⚠ WARNING! ⚠
**Risk of electrical
shock. Turn off all
power at the
electrical panel
board supplying
power to the
heater before
doing any
electrical wiring.**

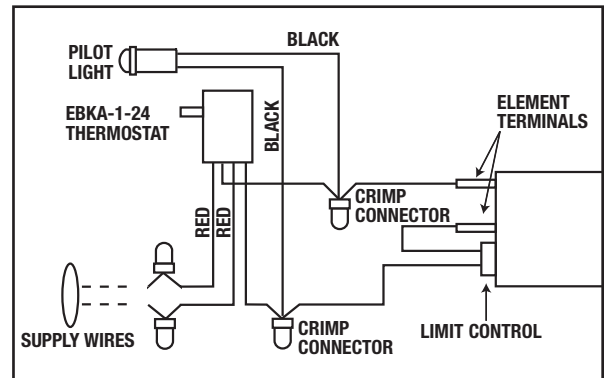
⚠ WARNING! ⚠
**Do not hit or damage
the temperature limit
sensing switch on
this heater.**

⚠ WARNING! ⚠
**Do not operate the
heater without the
front cover in place.**

IMPORTANT!
**It is extremely
important that you
verify the electrical
supply wires are the
same voltage as the
heater (i.e. 120 volt
heater to 120 volt
power supply and
240 volt heater to 240
volt power supply).**

Installation Instructions

1. Remove the heater front panel by lifting up and pulling out on the bottom edge of the front panel. Set the front panel aside.
 2. Remove the junction box cover at the left end of the heater by removing the screw (See Figure 1). Keep screw for future use.
 3. If you are installing the EBKA-1-24 thermostat kit as part of a new installation, proceed to Step 6.
 4. Disconnect the power supply wires and remove the wiring strain relief device from the heater.
 5. Remove heater from the wall by lifting the heater off the mounting brackets. It is best to replace the thermostat while the heater is not mounted.
 6. Remove the existing left end cap or EBKA-1-24 thermostat kit by removing the screw and clip located on the back of the heater and sliding the end cap away from the heater. Keep screw and clip for future use.
 7. Attach the new EBKA-1-24 thermostat kit with the indicator light on top by sliding it onto the heater, making sure no wires are caught between the thermostat and heater. Secure in place using the screw and clip previously removed in Step 6.
 8. Route power supply wires through the wiring knockout hole and secure to heater using the strain relief connector. If this is a new unit, refer to the EBHA owner's guide for instructions on how to install the heater.
 9. Attach heater to the wall mounting brackets, making sure the power supply wires are not pinched between the wall and the heater.
 10. Connect one **red** wire from the thermostat to one power supply wire. Connect remaining **red** wire from thermostat to remaining power supply wire.
 11. Connect one **black** wire from the thermostat and one **black** wire from the indicator light to one **black** wire from the heater. Connect the remaining **black** wire from the thermostat and **black** wire from the indicator light to the remaining **black** wire from the heater.
 12. Connect ground to grounding screw provided in junction box.
- Note:** All wires must be used.
13. Inspect all wire connections to be sure they are fastened securely. Push wiring back into the junction box and re-attach the junction box cover using screw previously removed.
 14. Reattach the heater front panel and turn the thermostat to the lowest position.
 15. Restore power at the electrical panel board (circuit breaker or fuse box).
 16. Rotate the thermostat control knob to a higher setting until the indicator light turns on.
- IMPORTANT:** All wiring must comply with all local electrical codes.



Operation

How to operate your thermostat

1. Once installation is complete and power has been restored, turn the thermostat knob to the highest position.
2. When the room reaches your comfort level, slowly turn the thermostat knob down to a lower setting until the light goes off or a click sound is heard. The heater will automatically cycle around this preset temperature.
3. To reduce the room temperature, turn the knob to a lower setting. To increase the room temperature, turn the knob to a higher position.

Warranty

LIMITED ONE-YEAR WARRANTY: Cadet will repair or replace any Cadet product, including thermostats, found to be defective within one year after the date of purchase.

These warranties do not apply:

1. Damage occurs to the product through improper installation or incorrect supply voltage;
2. Damage occurs to the product through improper maintenance, misuse, abuse, accident, or alteration;
3. The product is serviced by anyone other than Cadet.
4. If the date of manufacture of the product cannot be determined;
5. If the product is damaged during shipping through no fault of Cadet.
6. CADET'S WARRANTY IS LIMITED TO REPAIR OR REPLACEMENT AS SET OUT HEREIN. CADET SHALL NOT BE LIABLE FOR DAMAGES SUCH AS PROPERTY DAMAGE OR FOR CONSEQUENTIAL DAMAGES AND/OR INCIDENTAL EXPENSES RESULTING FROM BREACH OF THESE WRITTEN WARRANTIES OR ANY EXPRESS OR IMPLIED WARRANTY.

7. IN THE EVENT CADET ELECTS TO REPLACE ANY PART OF YOUR CADET PRODUCT, THE REPLACEMENT PARTS ARE SUBJECT TO THE SAME WARRANTIES AS THE PRODUCT. THE INSTALLATION OF REPLACEMENT PARTS DOES NOT MODIFY OR EXTEND THE UNDERLYING WARRANTIES. REPLACEMENT OR REPAIR OF ANY CADET PRODUCT OR PART DOES NOT CREATE ANY NEW WARRANTIES.
8. These warranties give you specific legal rights, and you may also have other rights which vary from state to state. Cadet neither assumes, nor authorizes anyone to assume for it, any other obligation or liability in connection with its products other than as set out herein.

If you believe your Cadet product is defective, please, contact Cadet Manufacturing Co. at 360-693-2505, during the warranty period, for instructions on how to have the repair or replacement processed. Warranty claims made after the warranty period has expired will be denied. Products returned without authorization will be refused.

Parts and Service

Visit www.cadetco.com/parts_service for information on where to obtain Parts and Service.